

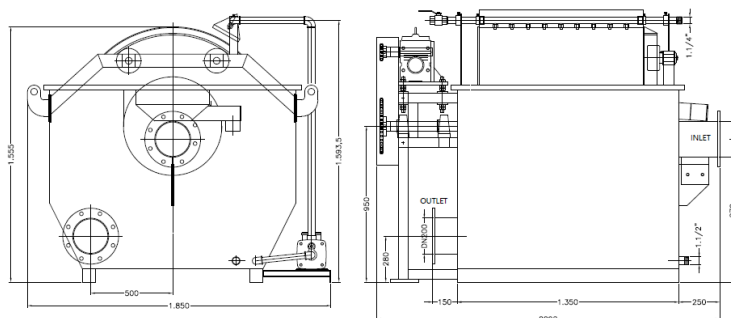


## DRM – Drum Filter Group

### Unique Features of MAT Drum Filter

MAT Drum Filter Units materialize an efficient, robust and reliable solution in the process of solid & organic matter separation. The

Units are able to handle a wide range of flow rate and backwash, utilizing micron rates from 60 up to 200µm.



### Specification Table of Drum Filter Group of Products

MODEL	Description	Max Flow rate (m3/h)	Inlet / Outlet Connection	Micron Rate	Backwash amount (m3/h)
<b>MAT501PP</b>	made in PP, incl. high pressure backwash pump, incl. electrical panel	20	DN100	60-200	0.25
<b>MAT802PP</b>	made in PP, incl. high pressure backwash pump, incl. electrical panel	50	DN150	60-200	1.52
<b>MAT1202PP</b>	made in PP, incl. high pressure backwash pump, incl. electrical panel	100	DN200	60-200	1.52
<b>MAT1206PP</b>	made in PP, incl. high pressure backwash pump, incl. electrical panel	200	DN250	60-200	3.04
<b>MAT1206PP</b>	made in PP, incl. high pressure backwash pump, incl. electrical panel	300	DN300	60-200	3.04
<b>MAT501SS</b>	made in SS316L, incl. high pressure backwash pump, incl. electrical panel	20	DN100	60-200	0.25
<b>MAT802SS</b>	made in SS316L, incl. high pressure backwash pump, incl. electrical panel	50	DN150	60-200	1.52
<b>MAT1202SS</b>	made in SS316L, incl. high pressure backwash pump, incl. electrical panel	100	DN200	60-200	1.52
<b>MAT1206SS</b>	made in SS316L, incl. high pressure backwash pump, incl. electrical panel	200	DN250	60-200	3.04
<b>MAT1404SS</b>	made in SS316L, incl. high pressure backwash pump, incl. electrical panel	300	DN300	60-200	3.04



MAT Filtration Technologies  
email: [sales@matglobal.tech](mailto:sales@matglobal.tech) | web: <https://matglobal.tech/>

MAT Filtration Technologies  
email: [sales@matglobal.tech](mailto:sales@matglobal.tech) | web: <https://matglobal.tech/>